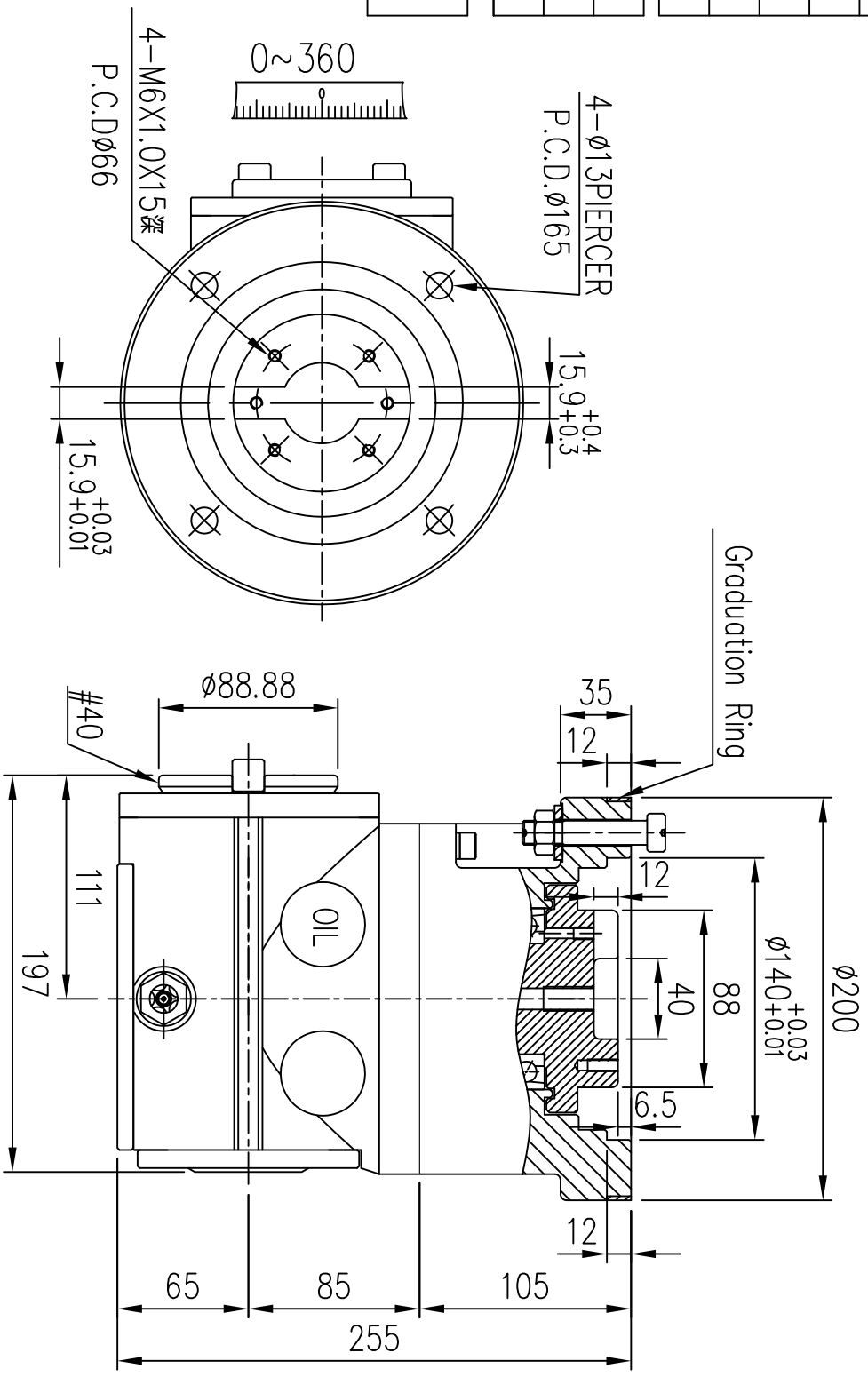


加工精度	
Max Cutter Dia	Ø100(4")
Reduction Ratio	1 : 1
Max Torque	300N.m
Max Power	15kw
Max Revolving	2000rpm
Main Spindle Steering	Right Turn
Pull Rod Select	BT(M16XP2.0) NT(M16XP2.0) NT(5/8")

Accessories : "T"-Screw X 4
M12XP1.75X71L



CN74-01(E)