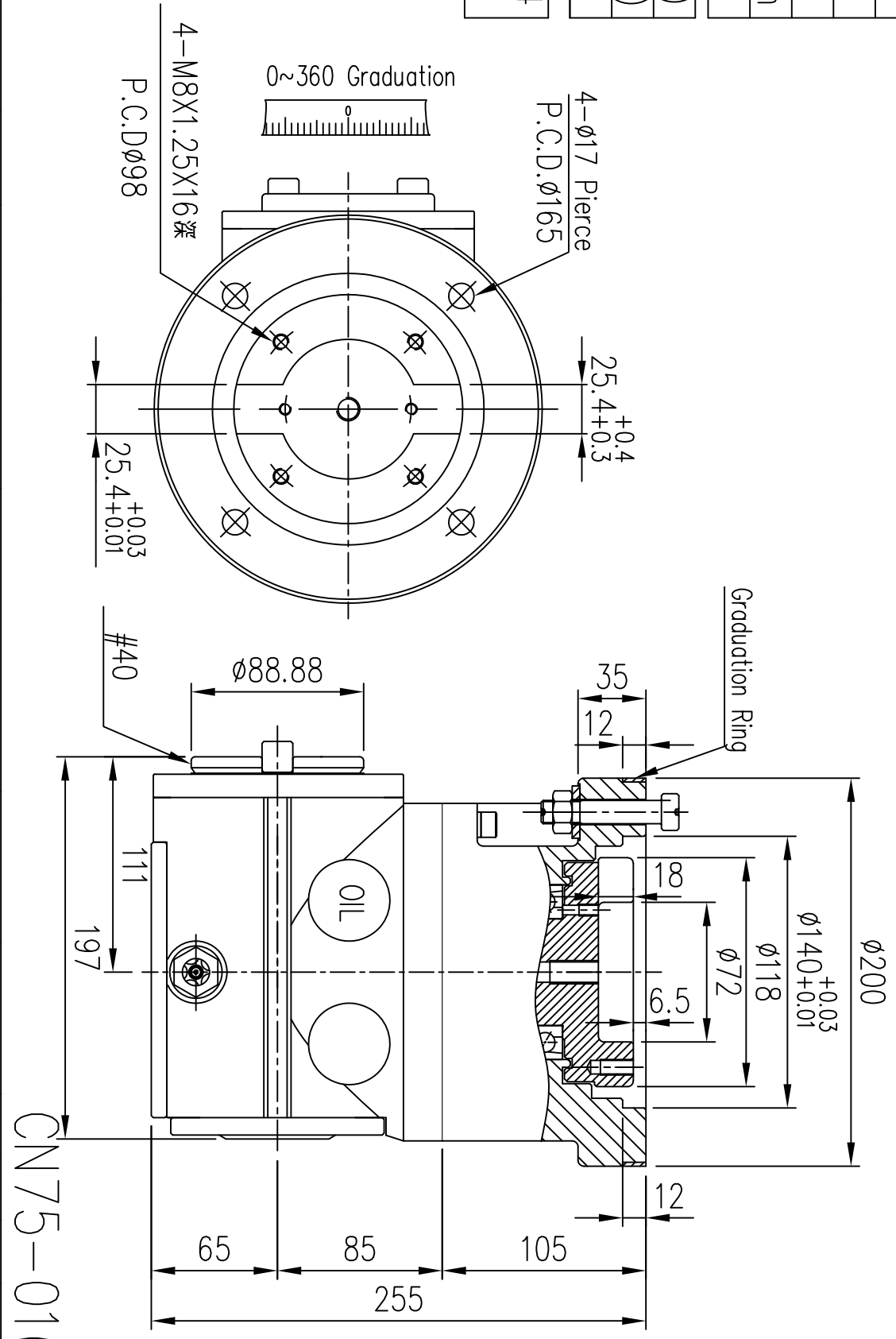


加工精度

| | |
|-----------------------|------------|
| Max Cutter Dia | φ100(4") |
| Reduction Ration | 1 : 1 |
| Max Torque | 300N.m |
| Max Power | 15kw |
| Max Revolving | 2000rpm |
| Main Spindle Steering | Right Turn |

| | |
|------------------|--------------|
| Pull Stud Select | BT(M16XP2.0) |
| | NT(M16XP2.0) |
| | NT(5/8") |

Accessories : T-Screw X4
M12XP1.75X71L



CN75-01(E)